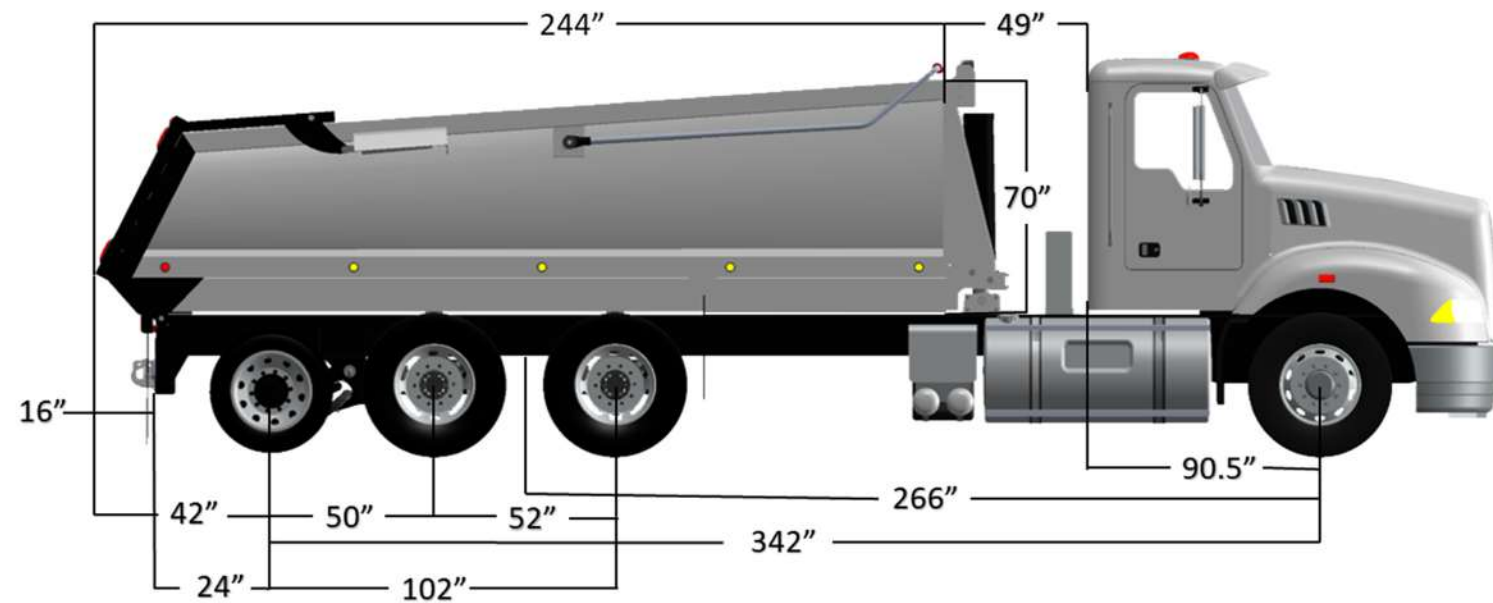


SPECIFICATIONS

SINCE 1972



DIMENSIONS AND CAPACITIES							
LENGTH (Feet)	HEIGHT (Inches)				BODY CAPACITY (Cubic Yards)	USABLE CHASSIS C/T (Inches)	AFTER FRAME LENGTH (Inches)
	HEAD	SIDES (Front)	SIDES (Rear)	TAILGATE			
20'	47"	47"	30"	45"	18 yd ³	179"	73"
21'	56"	56"	38"	53"	23 yd ³	179"	73"

STANDARD FEATURES

- BODY, HEADSHEET & TAILGATE ALL AR500 CONSTRUCTION
- DUMP GATE WITH LOCKING CHAINS
- BODY SAFETY PROP
- TAILGATE CYLINDER LOCK/LATCH MECHANISM
- COMPLETE ASSEMBLY IN BLACK OR WHITE COLOR
- COMPLETE LED LIGHTING
- INSIDE HOIST CABLE CONTROLS WITH SAFETY LOCKOUT
- SINGLE ACTING TELESCOPIC HOIST CYLINDER
- ELLIPTICAL BED DESIGN
- EXTERIOR BED STEPS

AVAILABLE OPTIONS

- TRAILER HITCH
- ELECTRIC TARPING SYSTEM - TOP MOUNTED
- SPOT LIGHTS & BEACONS
- CUSTOM PAINT
- DITCH GATE
- BACK-UP CAMERAS
- HENDRICKSON & RIDEWELL PUSHER AXLES
- SCALE SYSTEMS

SUPERTAG DUMP BODY



HIGH STRENGTH. DURABLE. MAXIMIZED PAYLOAD.



12266 Branford St. Sun Valley, CA 91352 • (818)-899-1111
 1441 N. VIP Blvd. Casa Grande, AZ 85122 • (602)-584-5001
www.spartantruck.com | info@spartantruck.com



SPARTAN
TRUCK COMPANY, INC.

SUPERTAG DUMP BODY

BUILT RIGHT, RIGHT NOW!



SPARTAN
TRUCK COMPANY, INC.

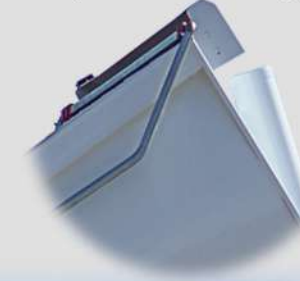
Tailgate pivots at rear most bolster for conventional dumping.



Aluminum constructed tailgate cylinders with protective shield.



Cab shield curvature design reduces tarping system damage.



Exterior body steps with anti slip treadplate.



Trunnion mounted hoist cylinder provides improved stability during the unloading process.



Frame mounted safety prop.



Upright 35 gallon Aluminum hydraulic oil tank.



Self-cleaning elliptical design provides a lower center of gravity, greater stability, and ease of unloading at the construction site.



Automated tuck-away mudflaps.



**CONSTRUCTED OF
ALL AR500 MATERIAL**