

DC350 Series Tarpers

Tandem/Multi Axle Roll Offs

Cable Hoists • Hooklifts

...The Most Technically Advanced
Adjustable System for Roll offs



• DC350 sliding pivot features all new spring-driven pivot with 6-springs in a narrow 3" profile



• Tower Rests at height of average 20yd container and extends 36" (Integrated Housing)



• Pre-wired Black Box™ Wireless Control with Electric-over-Hydraulic Power Pack

LIGHTWEIGHT
UNDER:
800 lbs

Light, Durable, and Less Maintenance

Tarp faster, safer and easier with Roll-Rite®. Adjustable features for multiple size container pick-up. Reduce load interference and increase operator safety with key-fob remote control. Remote control lets you monitor tarp operations standing where you want to not where you have to.



• Versatile pivot range with 180° arm rotation. Gear-driven spring pivot combined with patented sliding mechanism allows 20 in. of travel to easily accommodate 20-, 30- and 40-yd containers. Narrow profile (above) meets 108" outside mounting requirements when mounted on outside of fender.



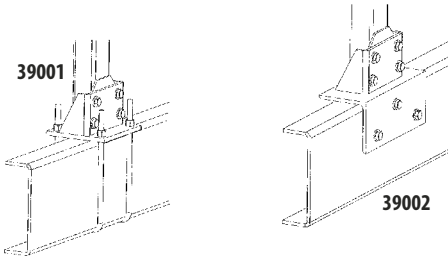
Roll-Rite® DC350 Series Tarp Systems...

...for Roll Off Applications in Scrap, Solid Waste and Demolition

DC350

For Varying Sized Containers
Using Up to 30' of Tarp Includes:

- Super Duty Motor w/98" Integrated Housing
- Adjustable Tower Adjusts 36" Above Height of Average 20-yd Container
- DC350 Sliding Pivot Set w/ Mounting Brackets
- Wide Tarp Bow Set
- Wireless Power Pack: Dual Valve Hydraulic Pump w/ Black Box™ Remote Controls, 2 Keyfobs w/Retractable Keyfob Clips

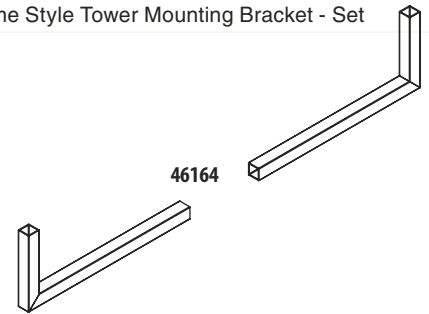


System:

Part #	Description
69350	Tarp System, DC350 w/20" Narrow Profile Sliding Pivot & Adjustable Tower - 12V Motor S/N: SD
69352	Tarp System, DC350 w/20" Narrow Profile Sliding Pivot & Dual Stage Adjust Tower - 12V Motor S/N: SD

Optional Accessories for DC Series:

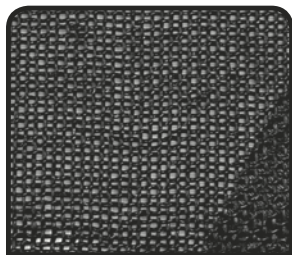
76916	Pivot, 45° Pivot Elbow w/ 24" Extension
46164	Bracket, Mounting Brackets for 3" Narrow Profile Sliding Pivots - Set
39001	Bracket, U-bolt Style Tower Mounting Bracket - Set
39002	Bracket, Side Frame Style Tower Mounting Bracket - Set



Super Tough Mesh

Our heavyweight Super Tough covers challenging debris in scrap, recycling and solid waste.

- Get 3 to 5 Times Wear Life!** — Users experience 3x-5x the wear life over other scrap/refuse tarps.
- Premium 16 oz Heavy Weight Woven Mesh made of 7,500 denier strands of UV resistant polypropylene
 - 7x7 weave breathes enough to minimize flapping
 - UV protected strands
 - Heavy duty 2" binder and seat-belt webbing front & rear to prevent fraying and tearing

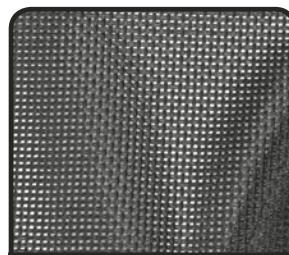


Super Tough Mesh 96" Wide

Part#	Length (ft)
86202	20
86222	22
86242	24
86262	26
86282	28
86302	30

Custom Super Tough (per ft)

Part#	Description
86020	up to 120" wide
86040	Pleated
86050	12" Flaps w/Grommets
86060	12" Flaps w/Shock-cord



Custom Premium HD Mesh Tarps

Part#	Length (ft)
101703	24
101465	28
101468	30

Custom Premium HD Mesh (per ft)

Part#	Description
101469	Up to 96" Wide
101471	Pleated

Premium HD Mesh

- Premium 15 oz material features a 6x6 fully PVC coated weave with three-1300 denier high tenacity polyester threads that form a single 3900 denier strand
- Comparable tensile strength to our Super Tough mesh with less weight provides maximum performance for automated tarping demands
- 10X more puncture resistant than SuperTough means superior coverage appearance with less debris protrusions
- Heavy duty 2" binder and seat-belt webbing front & rear to prevent fraying and tearing



www.RollRite.com

©2005 Roll-Rite, LLC • (800) 297-9905 • Tel: (989) 345-3434 • Fax: (989) 345-7805

All specifications, equipment and pricing subject to change without notice. Roll-Rite, LLC reserves the right to improve models without incorporating changes into similar models produced at an earlier date.



/DC350Series/mod.09242012