



SPARTAN
TRUCK MANUFACTURING, INC.

Automated Tarp System

T.PI.AUTOTARP-DEL

Optional Control Valve Kit

T.PI.AUTOTARP-Kit



*Trust SPARTAN to build
the strongest tarp
system on the market!*

QUALITY REFUSE HAULING EQUIPMENT SINCE 1972

ARIZONA

1441 N VIP Blvd, Casa Grande, AZ 85122
(602) 584-5001

CALIFORNIA

12266 Branford Street, Sun Valley, CA 91352
(818) 899-1111

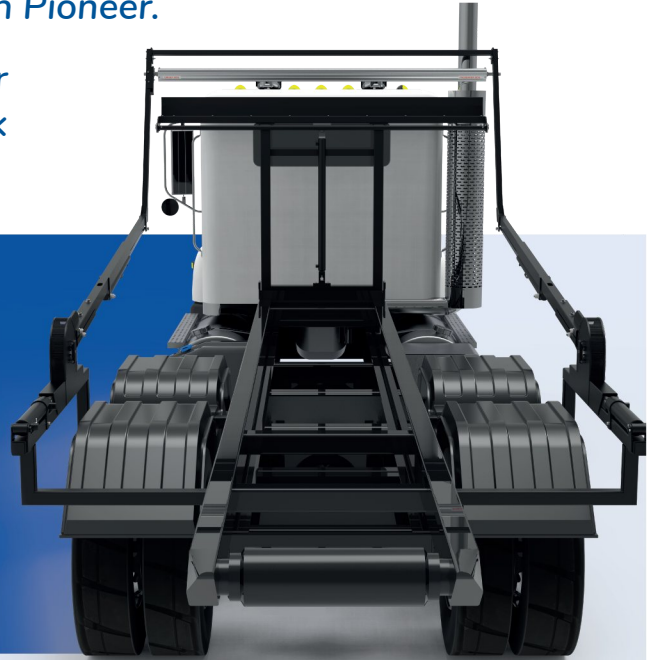
<http://www.spartantruck.com>

SPARTAN is already your trusted partner for after market replacement parts and now we have created the answer to a stronger automatic tarp system. We guarantee our quality is the same or better as the industry's leading automatic tarp system. We created a system that addresses both function and design improvements based on feedback directly from the field. Our replacement parts are also fully interchangeable with Pioneer.

Buy a new tarping system today or check out replacement parts, in stock and ready to ship within 24 hours.

Our Universal Auto Tarp System features:

- Treated steel for lasting durability.
- Heavy duty, high quality spring roller.
- Longer pivot pin for security on the road.
- Reinforced weldment pivot gear & rack.
- Full system includes tarp, roller, cylinders and structural pieces.
- Hydraulic kit option—available add-on.



* Tracked by serial number (tarp not included in warranty due to extreme working conditions).

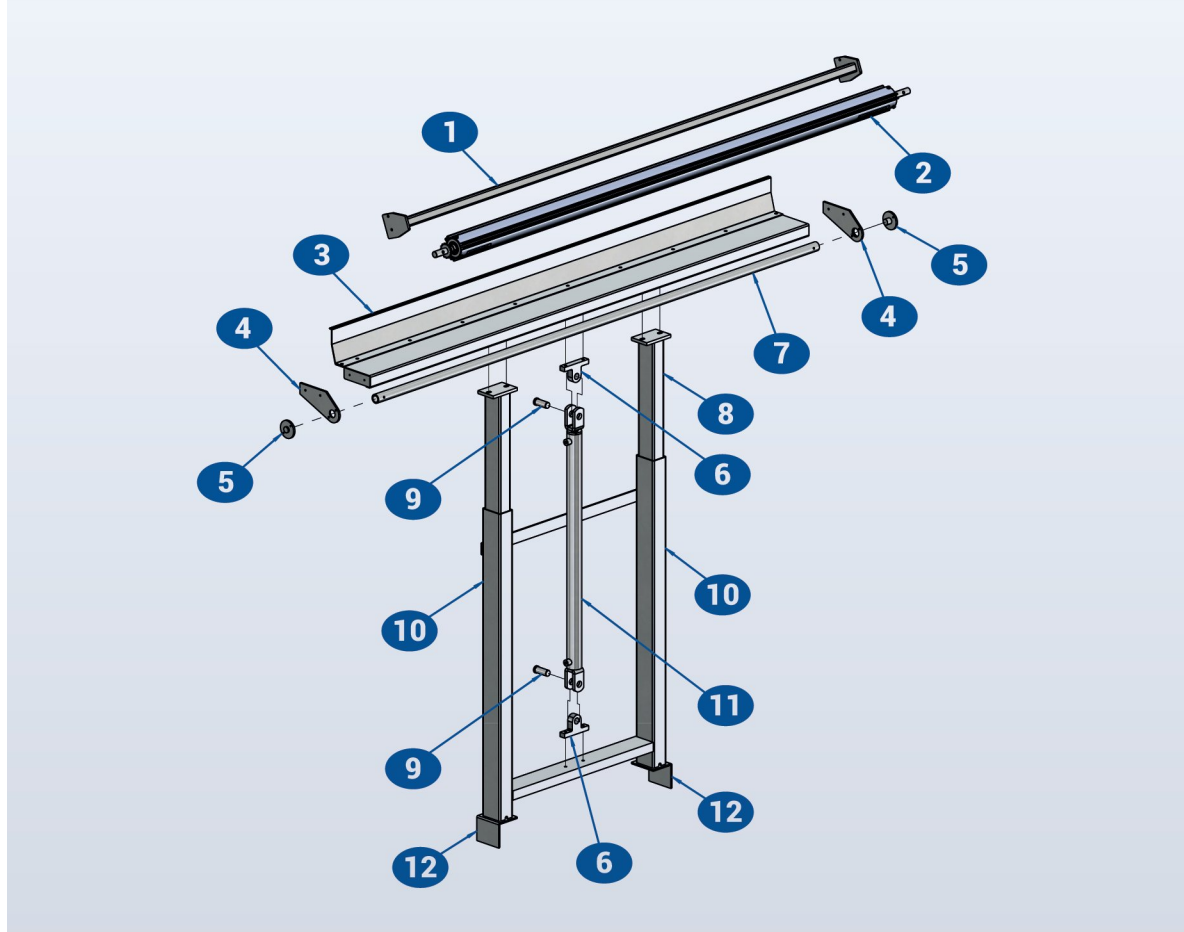


Universal Replacement Auto Tarp.

2 YEAR WARRANTY*

Tarp Replacement Parts

Gantry Tower Parts



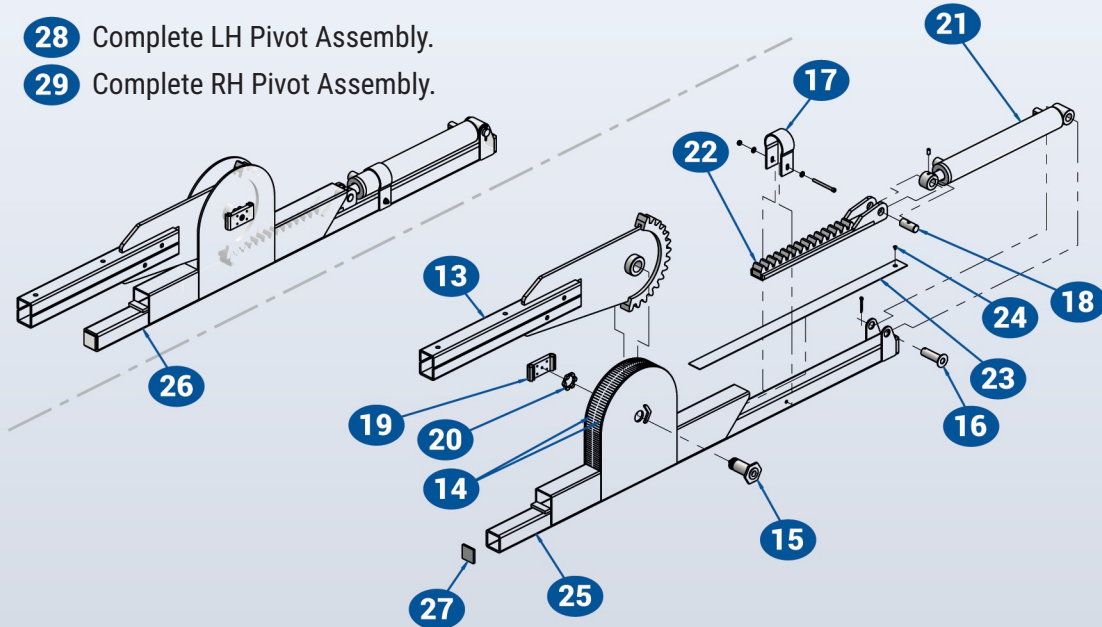
ITEM NO.	P/N	DESCRIPTION
1	T.PI.HR4753	STABILIZER BAR
2	T.PI.H7002C	TRAP ROLLER
3	T.PI.HR4505-2	ROLL REST & BASE ASSY.
4	T.PI.HR4756	TARP TUBE BRACKET
5	T.PI.HR4757	TARP TUBE CAP
6	T.PI.H7032	GANTRY CYLINDER CLEVIS EYE
7	T.PI.HR4758	TRAP BAR 90-5/8" LONG
8	T.PI.HR4512	GANTRY TELESCOPIC LEG
9	T.PI.H7062	CLEVIS PIN
10	T.PI.HR4515	GANTRY BASE FRAME
11	T.PI.HR4520	GANTRY CYLINDER
12	T.PI.HR4519	CHASSIS MOUNTING ANGLE

Tarp Replacement Parts

Main Pivot Assembly

COMPLETE LH & RH PIVOT ASSEMBLIES:

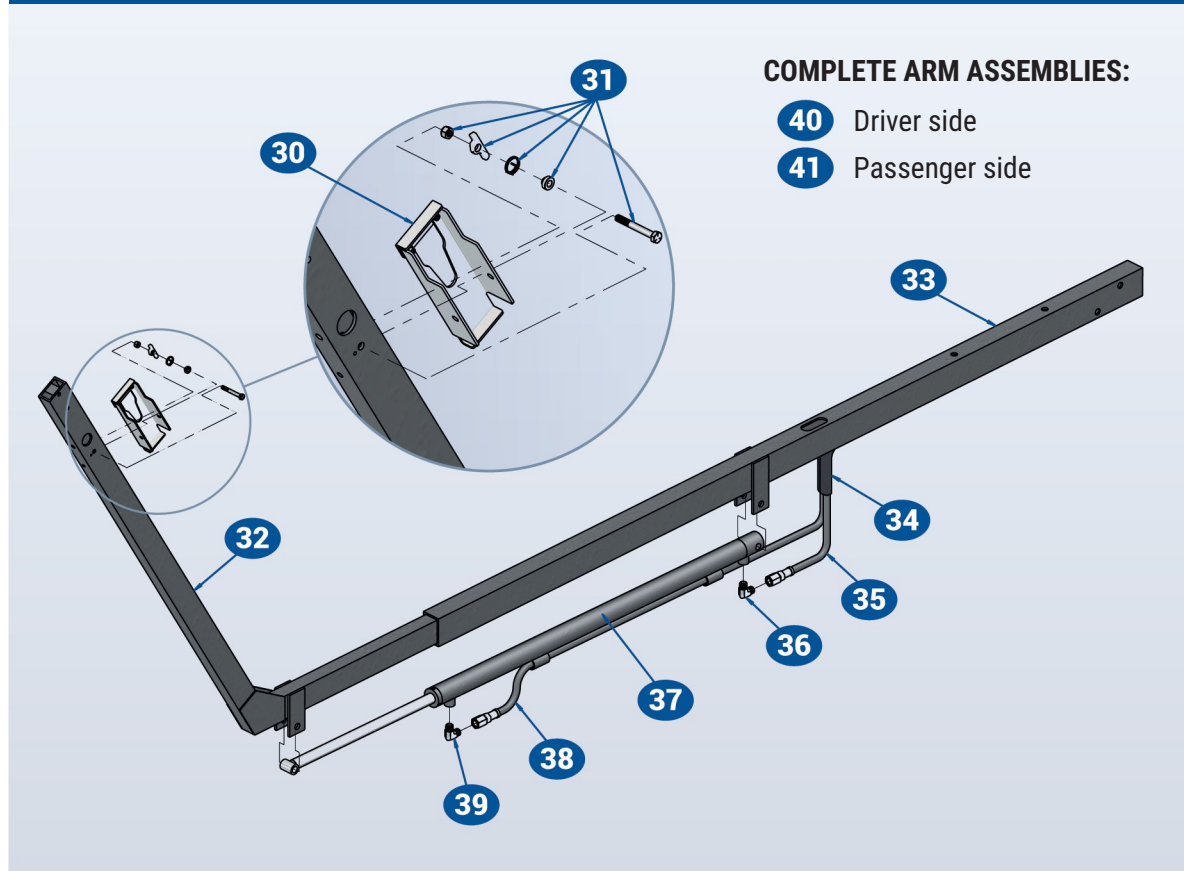
- 28** Complete LH Pivot Assembly.
- 29** Complete RH Pivot Assembly.



ITEM NO.	P/N	DESCRIPTION
13	T.PI.HR4760D	BASE ARM ASSY. NEW STYLE 2018+
14	T.PI.HR4726	LEFT & RIGHT BRUSHES (2PC SET)
15	T.PI.A3881	PIVOT PIN
16	T.PI.A3883	CYLINDER PIN
17	T.PI.HR4731	CYLINDER STRAP
18	T.PI.D18836	RACK CYLINDER CONNECTING PIN
19	T.PI.HR4728	SWIVEL HOSE CLAMP
20	T.PI.HR4785	CASTLE NUT
21	T.PI.HR4719	CYLINDER
22	T.PI.A3868E	RACK ASSEMBLY NEW STYLE 2018+
23	T.PI.D18718A	PLASTIC WEAR STRIP
24	T.PI.3824063FHSCSP	TAPERED BOLT
25	T.PI.A4005A-1	HOUSING
26	T.PI.A4006A-1	HOUSING
27	T.PI.HR4548A	END CAPS
28	T.PI.HR4761D	COMPLETE LH PIVOT ASSY.
29	T.PI.HR4762D	COMPLETE RH PIVOT ASSY.

Tarp Replacement Parts

Arm Extension Assembly



ITEM NO.	P/N	DESCRIPTION
30	T.PI.HR4789	RACHET GUARD
31	T.PI.HR4788 KIT	PAWL, SPRING & SPACER
32	T.PI.HR4751	UPPER ARM
33	T.PI.HR4750	BASE ARM
34	T.HYD.MC-50	HOSE SLEEVE
35	T.PI.HR4584	HYDRAULIC HOSE
36	T.PI.HR4681	#6 ELBOW FITTING
37	T.PI.HR4752	EXTEND CYLINDER
38	T.PI.HR4585	HYDRAULIC HOSE
39	T.PI.HR4681	#6 ELBOW FITTING
40	T.PI.HR4766L	DRIVER SIDE
41	T.PI.HR4766R	PASSENGER SIDE